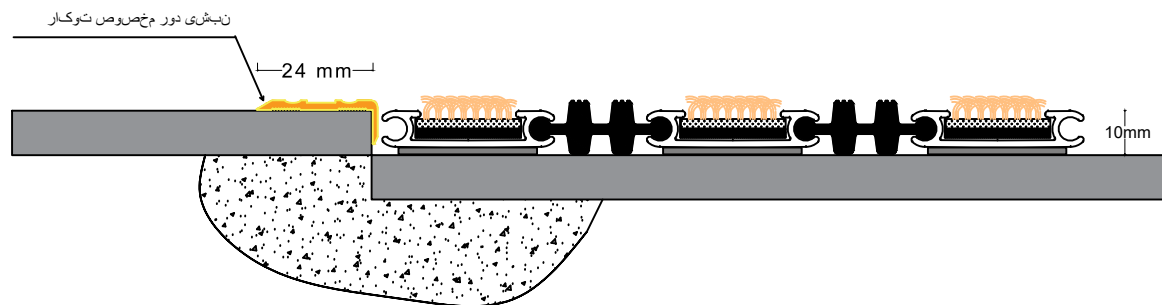


• Entrance Mats & anti slip

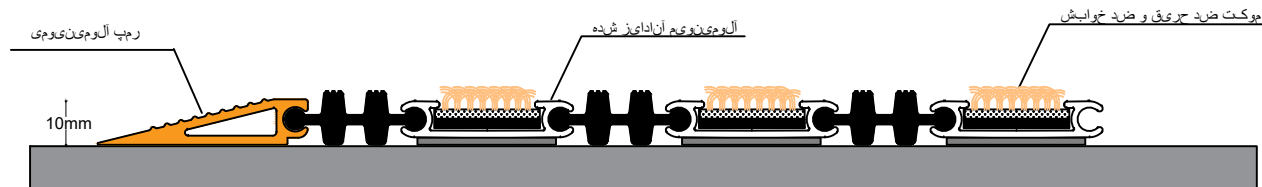
Architectural Building Products

Doormat



Aluminum Mat

Code : 150
 Rail Material : Aluminum 6063
 Inserts : Carpet / PVC
 Connected : PVC
 Construction : Open
 Mat Depth : 10 mm (± 1 mm)



Aluminum Recessed Mat is a special entrance mat designed to provide a dust control and non-slip solution for high traffic commercial buildings.

Aluminum Entrance Mat Function :

Scrape dirt and absorb moisture off shoes when people walk through entrance areas.

Anti-slip carpet provide a non-slip and safer entry way

Size : Customized size as customer required
 Colors : Grey, Black, Earth gold.
 Applications : Entrance -Indoor/Outdoor, Hotels, shopping malls, super markets, and other high-traffic areas .
 Packing : PVC
 Weight : 18 kgs/sqm

Customer :

design by : kaheh

Project code : 150

Sales Rep :

DOORMAT **دورمات**