

Profile Systems

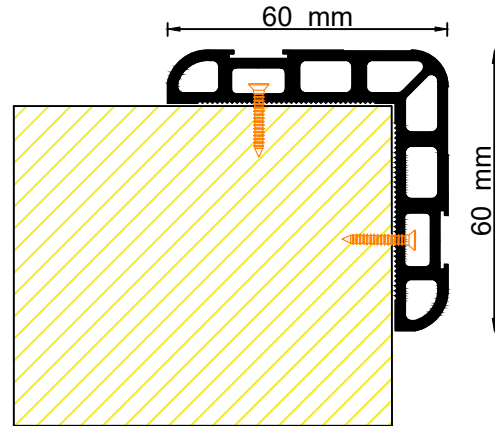
Architectural Building Products

Doormat

pvc elastic corner guard

Profile type: G3

- Description: PVC elastic corner guard protects walls against damage.
- Application: edge protection
- Length of the profile: 1,00 m, 1.50 m, 2 m
- Width of the profile: 60 mm
- Height of the profile: 60 mm
- Alloy of the profile: rubber elastic
- Anodized colours: Black
- Additional colors:
- Fixation: screwing, countersunk drilled holes 3,5 mm and self-adhesive and with a surface glue. Wide range of colors, also with warning stripes.



#10 x 1-3/4"
SHEET METAL
SCREW WITH
ALLIGATOR
ANCHOR



Introduction Of Corner Guard:

Corner guards are constructed from high impact resistance natural rubber. They are designed to protect the edges of columns in structures. Corner guards relieves the tension of chipped & broken corners of pillars / columns. They are mounted onto the edges of, preferably all the 4 edges of square columns of basement parking as well as the edges of the walls in industrial premises. They are suitable for medium & heavy traffic areas & also moving trolleys. They are a perfect solution for chipped edges in car parks, hospitals, nursing homes, laboratories, hotel, schools, sports areas and multitude of other commercial properties.

Customer :

design by : kaheh

DOORMAT **دورمات**